

# SUBMITTAL AVI-75 TYPE A

Job \_\_\_\_\_  
 Location \_\_\_\_\_  
 Submitted to \_\_\_\_\_  
 Submittal Prepared by \_\_\_\_\_  
 Approve Date \_\_\_\_\_  
 Date \_\_\_\_\_

UL Classified - 1½ Hour Rating, Static  
 For use in installations rated less than 3 hours

Standard Profile (4¼") 22 Ga

Type A Damper  
 Blades in air-stream

Available for vertical and horizontal installations

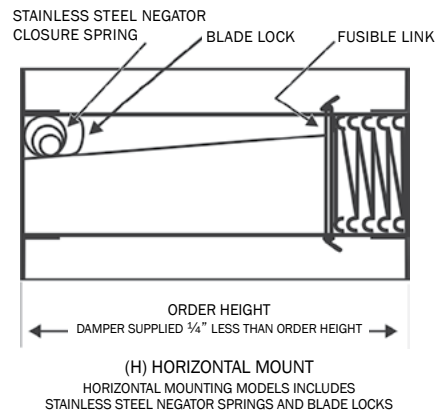
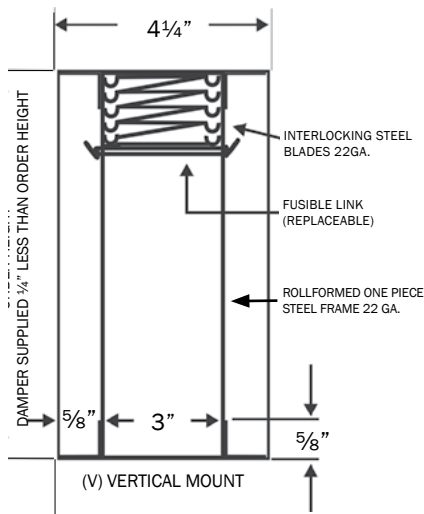
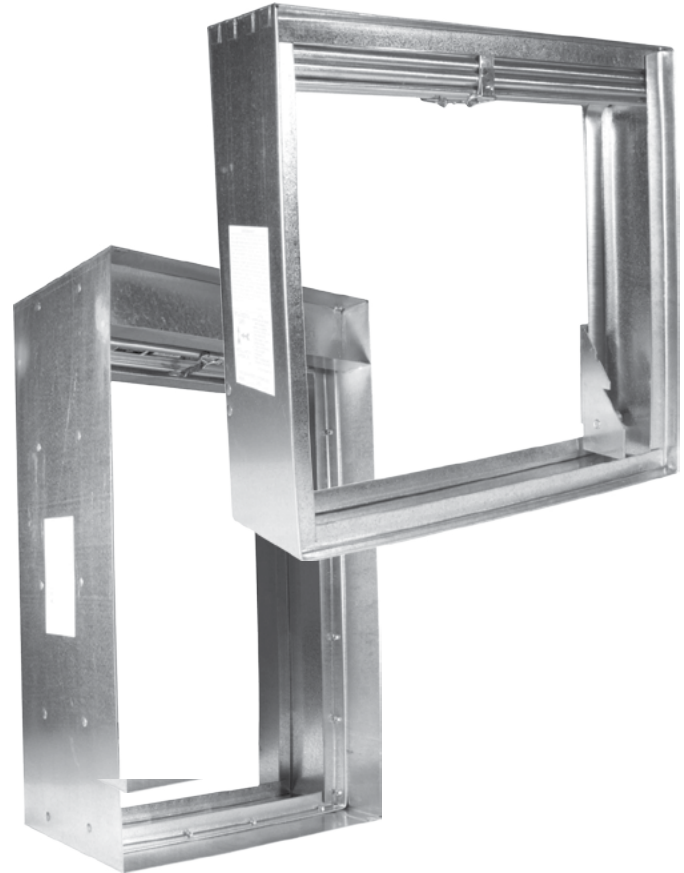
Standard fusible link - 165° F (optional 212° F)

Available in stainless steel

Vertical dampers are available in single-section sizes  
 from 4" x 4" to 60" x 60"  
 multi-section sizes to 120" x 120"

Horizontal dampers are available in single-section sizes  
 from 4" x 4" to 40" x 60"  
 multi-section sizes to 120" x 120"

Optional 22 Ga Sleeve available:  
 8", 12", 17", 20", or 24" lengths (12" is standard)



UNDERWRITERS 'LABORATORIES (ULS55C)  
 CLASSIFIED CEIUNG RADIATION DAWPERS  
 FIRE RESISTENCE RATED 3 HOURS.  
 FOR USE IN UL CLASSIF'IED BUILDING  
 WATERIALS RATED 3 HOURS OR LESS.

Qty.	Mount	Damper Size		Fusible Link Temp (165 °F) std.	Factory Sleeve Length
	(V) vertical (H) horizontal	W	H		

## Part Number Format

